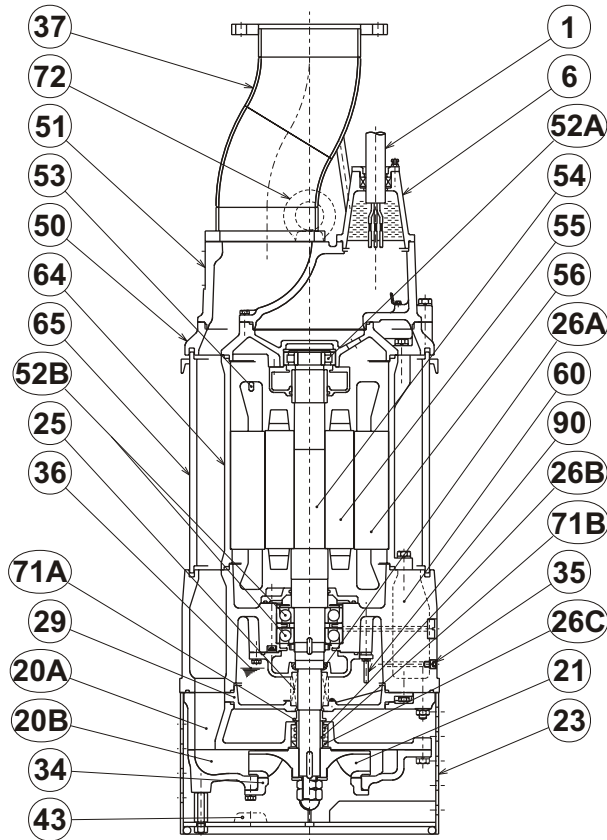




LH - SERIES SECTIONAL VIEW

**LH855-60, LH675-60
LH875-60**



ITEM#	DESCRIPTION	MAIN MATERIAL / NOTE	ASTM. AISI CODE	RELATED DIN CODE	Q'TY
1	Power Cable	Chloroprene Sheath AWG 2/6 , 4/1 , 14/3 -50ft			1
6	Stuffing Box	Cast Iron	A48 Class 35	1691/GG20	1
20A	Upper Pump Casing	Cast Iron	A48 Class 35	1691/GG20	1
20B	Lower Pump Casing	Cast Iron	A48 Class 35	1691/GG20	1
21	Impeller	High Chrome Cast Iron	A532 93d Class III Type A	1695;1977	1
23	Suction Strainer	Steel	A283 Grade D	17100 RSt 46-2	1
25	Mechanical Seal	Silicon Carbide / H-50T			1
	Oil Lifter	Carbon Steel	A109 Class 91	1624-87 St 2,3,4	1
26A	Oil Seal	Nitrile Butadiene Rubber / TC-60759			1
26B	Labyrinth Ring	Stainless Steel	AISI 304	17440 X5 CrNi 18-9	1
26C	Oil Seal	Nitrile Butadiene Rubber / TCN-557812			1
29	Oil Casing	Cast Iron	A48 Class 35	1691/GG20	1
34	Suction Wear Plate	High Chrome Cast Iron	A532 93d Class III Type A	1695;1977	1
35	Oil Plug	Stainless Steel	AISI 304	17440 X5 CrNi 18-9	2
36	Lubricant	Turbine Oil ISO VG32 or SAE10W/20W			
37	Flanged Discharge Pipe	Carbon Steel Pipe + Steel / 6" JIS20K or 8" JIS10K	A53 Type F + A283 Grade D	1615/St33 + 17100 RSt 46-2	1
	Companion Flange	Cast Iron / NPT 6"or 8"	A48 Class 35	1691/GG20	1
43	Cathodic Protection Plate	Aluminium Alloy			3
50	Motor Bracket	Cast Iron	A48 Class 35	1691/GG20	1
51	Motor Head Cover	Cast Iron	A48 Class 35	1691/GG20	1
52A	Upper Bearing	#NU310C3			1
52B	Lower Bearing	#7313BDBC3			1 set
53	Motor Protector				3
54	Shaft	Stainless Steel	AISI 420	17440 X20 Cr 13	1
55	Rotor				1
56	Stator				1
60	Bearing Housing	Cast Iron	A48 Class 35	1691/GG20	1
64	Motor Housing	Cast Iron	A48 Class 35	1691/GG20	1
65	Outer Cover	Steel	A283 Grade D	17100 RSt 46-2	1
71A	Shaft Sleeve (Upper)	Stainless Steel	AISI 403	17440 X15 Cr 13	1
71B	Shaft Sleeve (Lower)	Stainless Steel	AISI 403	17440 X15 Cr 13	1
72	Lifting Lug Bolt	Steel	A283 Grade D	17100 RSt 46-2	2
90	Leakage Sensor Electrode				1